

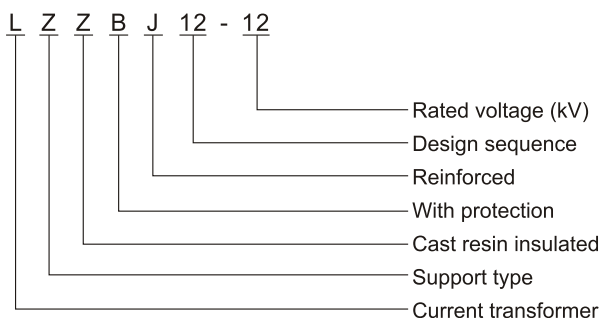
LZZBJ12-12 Current Transformer

Summary

Type LZZBJ12-12 current transformer is used for metering and protective relaying purposes for installation in indoor up to 12kV rated voltage frequency 50/60Hz, the current transformer is used for metering and protective relaying action in indoor and especially is suited for using in the narrow case(fixed) ring-network switchgear.



Model



Technical specification

1. Rated insulation level: 12/42/75kV;
2. Frequency(Hz): 50/60Hz;
3. Rated primary current: 5-3150;
4. Rated secondary current: 5A;
5. Accuracy classes: 0.5/5P;
6. Metering pole safeguard system: FS<10;
7. 5P rated accuracy limited factor: 5P10;
8. The measurement of partial discharge level is in accordance with IEC60044-1 and IEC 185 Apparent partial discharge level not more than 20PC;
9. Power factor: 0.8 (hysteresis);
10. Rated primary current accuracy classes, rated output and short-time thermal Current see table.

Type	Rated primary current(A)	Accuracy classes	Rated output(VA)	Short-time thermal current(kA/s)	Rated dynamic current(kA)
LZZBJ12-12 AS12/150b 2s	5	0.2S/10P10	10/15	0.5	1.25
		0.5/10P10	10/15		
	10	0.2S/10P10	10/15	1	2.5
		0.5/10P10	10/15		
	15	0.2S/10P10(15)	10/15	1.5	3.75
		0.5S/10P10(15)	10/15		
		0.2/10P10(151)	10/15	1.5	3.75
	0.5/10P10(15)	15/15			
	20	0.2S/10P10(15)	10/15	3.0	7.5
		0.5S/10P10(15)	10/15		
		0.2/10P10(15)	10/15	2.0	5
		0.5/10P10(15)	10/15		

Type	Rated primary current(A)	Accuracy classes	Rated output(VA)	Short-time thermal current(kA/s)	Rated dynamic current(kA)
LZZBJ12-12 AS12/150b 2s	30	0.2S/10P10(15)	10/15	4.5	11.25
		0.5S/10P10(15)	10/15		
		0.2/10P10(15)	10/15	3.0	7.5
		0.5/10P10(15)	10/15		
	40	0.2S/10P10(15)	10/15	6.0	15
		0.5S/10P10(15)	10/15		
		0.2/10P10(15)	10/15	4.5	11.25
		0.5/10P10(15)	10/15		
	50	0.2S/10P10(15)	10/15	7.5	18.75
		0.5S/10P10(15)	10/15		
		0.2/10P10(15)	10/15	5.0	12.5
		0.5/10P10(15)	10/15		
	60	0.2S/10P10(15)	10/15	9.0	22.5
		0.5S/10P10(15)	10/15		
		0.2/10P10(15)	10/15	6.0	15
		0.5/10P10(15)	10/15		
	75	0.2S/10P10(15)	10/15	10	25
		0.5S/10P10(15)	10/15		
		0.2/10P10(15)	10/15	7.5	18.5
		0.5/10P10(15)	10/15		
	100	0.2S/10P10(15)	10/15	15	37.5
		0.5S/10P10(15)	10/15		
		0.2/10P10(15)	10/15	10	25
		0.5/10P10(15)	10/15		
	150	0.2S/10P10(15)	10/15	22.5	56
		0.5S/10P10(15)	10/15		
		0.2/10P10(15)	10/15	15	37.5
		0.5/10P10(15)	15/15		
200	0.2S/10P10(15)	10/15	31.5	80	
	0.5S/10P10(15)	10/15			
	0.2/10P10(15)	10/15	21	52.5	
	0.5/10P10(15)	15/15			
250	0.2S/10P10(15)	10/15	45	112.5	
	0.5S/10P10(15)	10/15			
	0.2/10P10(15)	10/15	31.5	80	
	0.5/10P10(15)	10/15			
300	0.2S/10P10(15)	10/15	45	112.5	
	0.5S/10P10(15)	10/15			
	0.2/10P10(15)	10/15	31.5	80	
	0.5/10P10(15)	10/15			
400	0.2S/10P10(15)	10/15	45	112.5	
	0.5S/10P10(15)	10/15			
	0.2/10P10(15)	10/15	45	112.5	
	0.5/10P10(15)	10/15			

Type	Rated primary current(A)	Accuracy classes	Rated output(VA)	Short-time thermal current(kA/s)	Rated dynamic current(kA)
LZZBJ12-12 AS12/150b 2s	500	0.2S/10P10(15)	10/15	63	130
		0.5S/10P10(15)	10/15		
		0.2/10P10(15)	10/15	45	112.5
		0.5/10P10(15)	15/15		
	600	0.2S/10P10(15)	10/15	80	160
		0.5S/10P10(15)	10/15		
		0.2/10P10(15)	10/15	63	130
		0.5/10P10(15)	10/15		
	800	0.2S/10P10(15)	10/15	80	160
		0.5S/10P10(15)	10/15		
		0.2/10P10(15)	10/15	80	160
		0.5/10P10(15)	20/15		
	1000	0.2S/10P10(15)	15/20	80	160
		0.5S/10P10(15)	15/20		
		0.2/10P10(15)	15/20	80	160
		0.5/10P10(15)	20/20		
1200,1250	0.2S/10P10(15)	15/20	100	160	
	0.5S/10P10(15)	15/20			
	0.2/10P10(15)	15/20	100	160	
	0.5/10P10(15)	20/20			
LZZBJ12-12 AS12/185b 2s	5	0.2S/10P10	10/20	1.0	2.5
		0.5S/10P10	10/20		
		0.2/10P15	10/20	0.2	1.25
		0.5/10P15	20/20		
	10	0.2S/10P10	10/20	2.0	5.0
		0.5S/10P10	10/20		
		0.2/10P15	10/20	1.0	2.5
		0.5/10P15	20/20		
	15	0.2S/10P10	10/20	4.5	11.25
		0.5S/10P10	10/20		
		0.2/10P15	10/20	1.5	3.75
		0.5/10P15	20/20		
	20	0.2S/10P10	10/20	6.0	15
		0.5S/10P10	10/20		
		0.2/10P15	10/20	3.0	7.5
		0.5/10P15	20/20		
	30	0.2S/10P10	10/20	12	30
		0.5S/10P10	10/20		
		0.2/10P15	10/20	4.5	112.5
		0.5/10P15	20/20		
40	0.2S/10P10	10/20	16	40	
	0.5S/10P10	10/20			
	0.2/10P15	10/20	6.0	15	
	0.5/10P15	20/20			

Type	Rated primary current(A)	Accuracy classes	Rated output(VA)	Short-time thermal current(kA/s)	Rated dynamic current(kA)
LZZBJ12-12 AS12/185b 2s	50	0.2S/10P10	10/20	21	52.5
		0.5S/10P10	10/20		
		0.2/10P15	10/20	7.5	18.75
		0.5/10P15	20/20		
	60	0.2S/10P10	10/20	21	52.5
		0.5S,10P10	10/20		
		0.2/10P15	10/20	9.0	22.5
		0.5/10P15	20/20		
	75	0.2S/10P10	10/20	31.5	80
		0.5S/10P10	10/20		
		0.2/10P15	10/20	10	25
		0.5/10P15	20/20		
	100	0.2S/10P10	10/20	45	112.5
		0.5S/10P10	10/20		
		0.2/10P15	10/20	21	52.5
		0.5/10P15	20/20		
	150	0.2S/10P10	10/20	45	112.5
		0.5S/10P10	10/20		
		0.2/10P15	10/20	31.5	80
		0.5/10P15	20/20		
	200	0.2S/10P10	10/20	45	112.5
		0.5S/10P10	10/20		
		0.2/10P15	10/20	45	112.5
		0.5/10P15	20/20		
	250	0.2S/10P10	10/20	45	112.5
		0.5S/10P10	10/20		
		0.2/10P15	10/20	45	112.5
		0.5/10P15	20/20		
	300	0.2S/10P10	10/30	63	130
		0.5S/10P10	10/30		
		0.2/10P15	10/200	45	112.5
		0.5/10P15	20/20		
	400	0.2S/10P10	10/30	63	130
		0.5S/10P10	10/30		
		0.2/10P15	10/20	63	130
		0.5/10P15	20/20		
	500	0.2S/10P10	10/30	63	130
		0.5S/10P10	10/30		
		0.2/10P15	10/20	63	130
		0.5/10P15	20/20		
600	0.2S/10P10	10/30	80	160	
	0.5S/10P10	10/30			
	0.2/10P15	10/20	80	160	
	0.5/10P15	20/20			

Type	Rated primary current(A)	Accuracy classes	Rated output(VA)	Short-time thermal current(kA/s)	Rated dynamic current(kA)
LZZBJ12-12 AS12/185b 2s	800	0.2S/10P10	15/30	80	160
		0.5S/10P10	15/30		
		0.2/10P15	15/20	80	
		0.5/10P15	30/20		
	1000	0.2S/10P10	15/30	80	160
		0.5S/10P10	15/300		
		0.2/10P15	15/20	890	
		0.5/10P15	30/20		
	1200,1250	0.2S/10P10	15/30	100	160
		0.5S/10P10	15/30		
		0.2/10P15	15/20	100	
		0.5/10P15	30/20		
	1500,2500	0.2S/10P10	20/30	100	160
		0.5S/10P10	20/30		
		0.2/10P15	30/30	100	
		0.5/10P15	60/30		
300,3150	0.2S/10P10	20/30	100	160	
	0.5S/10P10	20/30			
3000,3150(1)	0.2/10P15	30/30	100	160	
	0.5/10P15	60/30			
3000,3150(2)	0.2S/10P15	20/20	100	160	
	0.5S/10P15	20/20			

Note: (1) Means rated secondary current only can be 5A;
 (2) Means rated secondary current only can be 1 A.

Type	Rated primary current(A)	Accuracy classes	Rated output(VA)	Short-time thermal current(kA/S)	Rated dynamic current(kA)
LZZBJ12-12 AS12/150b 4s	20,30,40, 50,75,100	0.2S/0.2/5P10	10/10/30	1501n	37511n
		0.2S/0.5/5P15	10/20/20		
		0.5S/0.5/5P20	10/10/15		
		0.2S/5P10/10P15	10,10/15		
		0.5S/5P10/10P20	10/10/10		
	150,200	0.2S/0.2/5P10	10/10/30	31.5	80
		0.2S/0.5/5P15	10/20/20		
		0.5S/0.5/5P20	10/10/15		
		0.2S/5P10/10P15	10/10/15		
		0.5S/5P10/10P20	10/10/10		
	300,400	0.2S/0.2/5P10	10/10/30	45	112.5
		0.2S/0.5/5P15	10/15/20		
		0.5S/0.5/5P20	10/15/15		
		0.2S/5P10/10P15	10/15/20		
		0.5S/5P10/10P20	15/15/15		

Type	Rated primary current(A)	Accuracy classes	Rated output(VA)	Short-time thermal current(kA/s)	Rated dynamic current(kA)
LZZBJ12-12 AS12/150b 4s	500	0.2S/0.2/5P10	10/10/30	63	130
		0.2S/0.5/5P15	10/10/20		
		0.5S/0.5/5P20	10/15/15		
		0.2S/5P10/10P15	10/15/20		
		0.5S/5P10/10P20	15/15/15		
	600,800	0.2S/0.2/5P10	10/10/30	63	130
		0.2S/0.5/5P15	10/15/20		
		0.5S/0.5/5P20	10/15/15		
		0.2S/5P10/10P15	10/15/20		
		0.5S/5P10/10P20	15/15/15		
	1000,1200,1250	0.2S/0.2/5P10	15/15/30	80	160
		0.2S/0.5/5P15	15/20/20		
		0.5S/0.5/5P20	10/20/15		
		0.2S/5P10/10P15	15/15/20		
		0.5S/5P10/10P20	20/15/15		

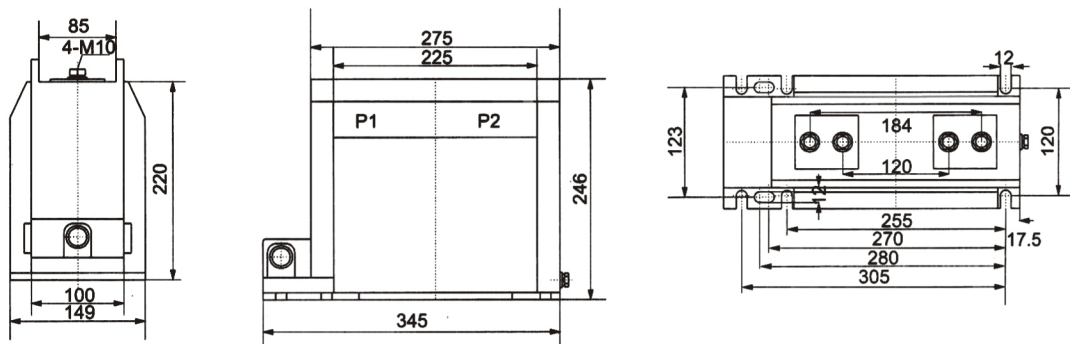
Type	Rated primary current(A)	Accuracy classes	Rated output(VA)	Short-time thermal current(kA/S)	Rated dynamic current(kA)
LZZBJ12-12 AS12/185b 4s	20,30,40, 50,75,100	0.2S/0.2/5P10	10/10/40	150I1n	375I1n
		0.2S/0.5/5P15	10/15/30		
		0.5S/0.5/5P20	10/15/20		
		0.2S/5P10/10P15	10/20/20		
		0.5S/5P10/10P20	10/20/15		
	150,200	0.2S/0.2/5P10	10/10/40	31.5	80
		0.2S/0.5/5P15	10/15/30		
		0.5S/0.5/5P20	10/15/20		
		0.2S/5P10/10P15	10/20/20		
		0.5S/5P10/10P20	10/20/15		
	300,400	0.2S/0.2/5P10	10/10/40	45	112.5
		0.2S/0.5/5P15	10/15/30		
		0.5S/0.5/5P20	10/15/20		
		0.2S/5P10/10P15	10/20/20		
		0.5S/5P10/10P20	10/20/15		
	500	0.2S/0.2/5P10	10/10/40	63	130
		0.2S/0.5/5P15	10/15/30		
		0.5S/0.5/5P20	10/15/20		
		0.2S/5P10/10P15	10/20/20		
		0.5S/5P10/10P20	10/20/15		
600,800	0.2S/0.2/5P10	10/10/40	63	130	
	0.2S/0.5/5P15	10/20/40			
	0.5S/0.5/5P20	10/20/30			
	0.2S/5P10/10P15	10/20/30			
	0.5S/5P10/10P20	10/20/20			

Type	Rated primary current(A)	Accuracy classes	Rated output(VA)	Short-time thermal current(kA/s)	Rated dynamic current(kA)
LZZBJ12-12 AS12/185b 4s	1000,1200,1250	0.2S/0.2/5P10	15/15/40	85	160
		0.2S/0.5/5P15	15/30/30		
		0.5S/0.5/5P20	10/30/20		
		0.2S/5P10/10P15	15/30/30		
		0.5S/5P10/10P20	30/30/20		
	1500	0.2S/0.2/5P10	15/15/40	100	160
		0.2S/0.5/5P15	15/30/40		
		0.5S/0.5/5P20	15/30/30		
		0.2S/5P10/10P15	15/30/30		
		0.5S/5P10/10P20	30/30/20		
	2000	0.2S/0.2/5P10	15/15/40	100	160
		0.2S/0.5/5P15	15/30/40		
		0.5S/0.5/5P20	15/30/30		
		0.2S/5P10/10P15	15/30/30		
		0.5S/5P10/10P20	30/30/20		
	2500	0.2S/0.2/5P10	20/20/40	100	160
		0.2S/0.5/5P15	20/40/40		
		0.5S/0.5/5P20	20/40/30		
		0.2S/5P10/10P15	20/30/30		
		0.5S/5P10/10P20	40/30/20		
3000,3150	0.2S/0.2/5P10	20/20/40	100	160	
	0.2S/0.5/5P15	20/40/30			
	0.5S/0.5/5P20	20/40/20			
	0.2S/5P10/10P15	20/20/20			
	0.5S/5P10/10P20	40/20/15			

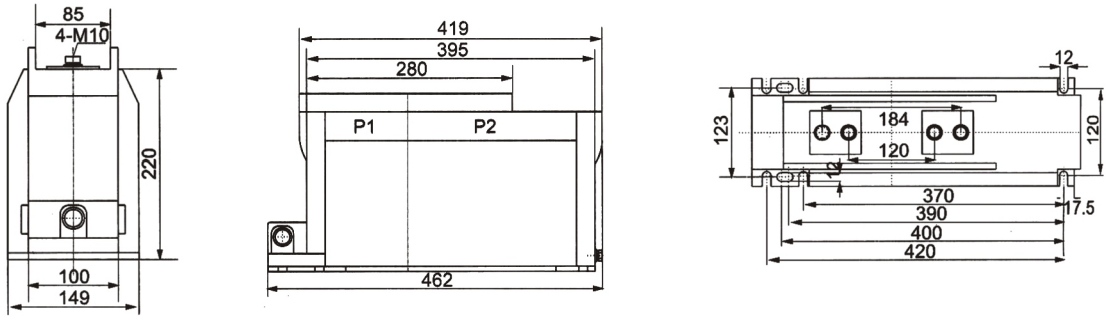
Note: The above technical parameter, rated secondary current is 5A, if needs 1 A or other data please contact with the company when orderings.

Outline dimension

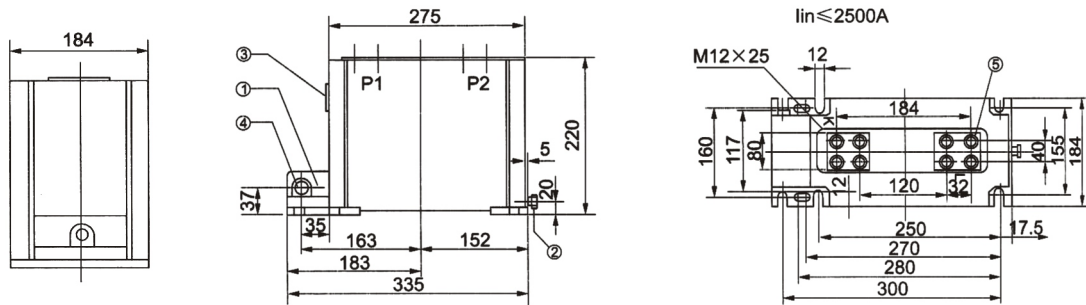
LZZBJ12-12/150b/2s AS12/150b/2s



LZZBJ12-12/150b/4s AS12/150b/4s



LZZBJ12-12/185b/2s AS12/185b/2s



LZZBJ12-12/185b/2s AS12/185b/2s

